

THIS DRAWING IS UNPUBLISHED.

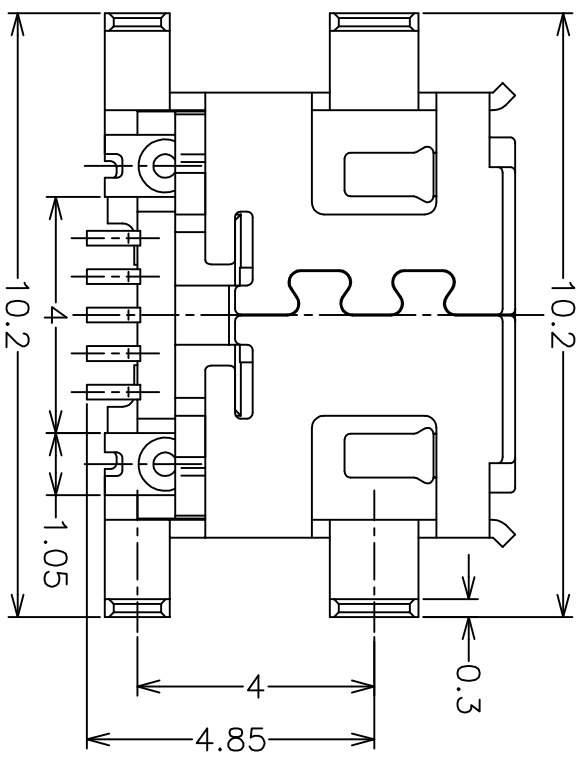
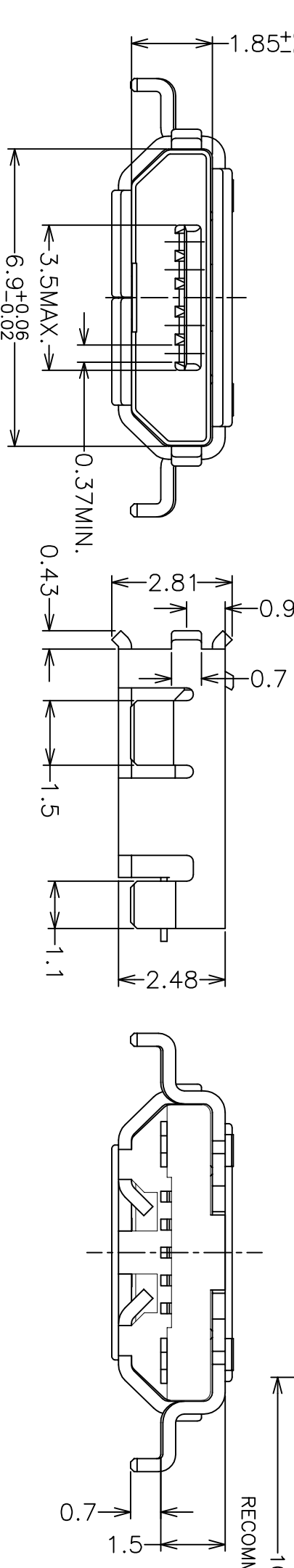
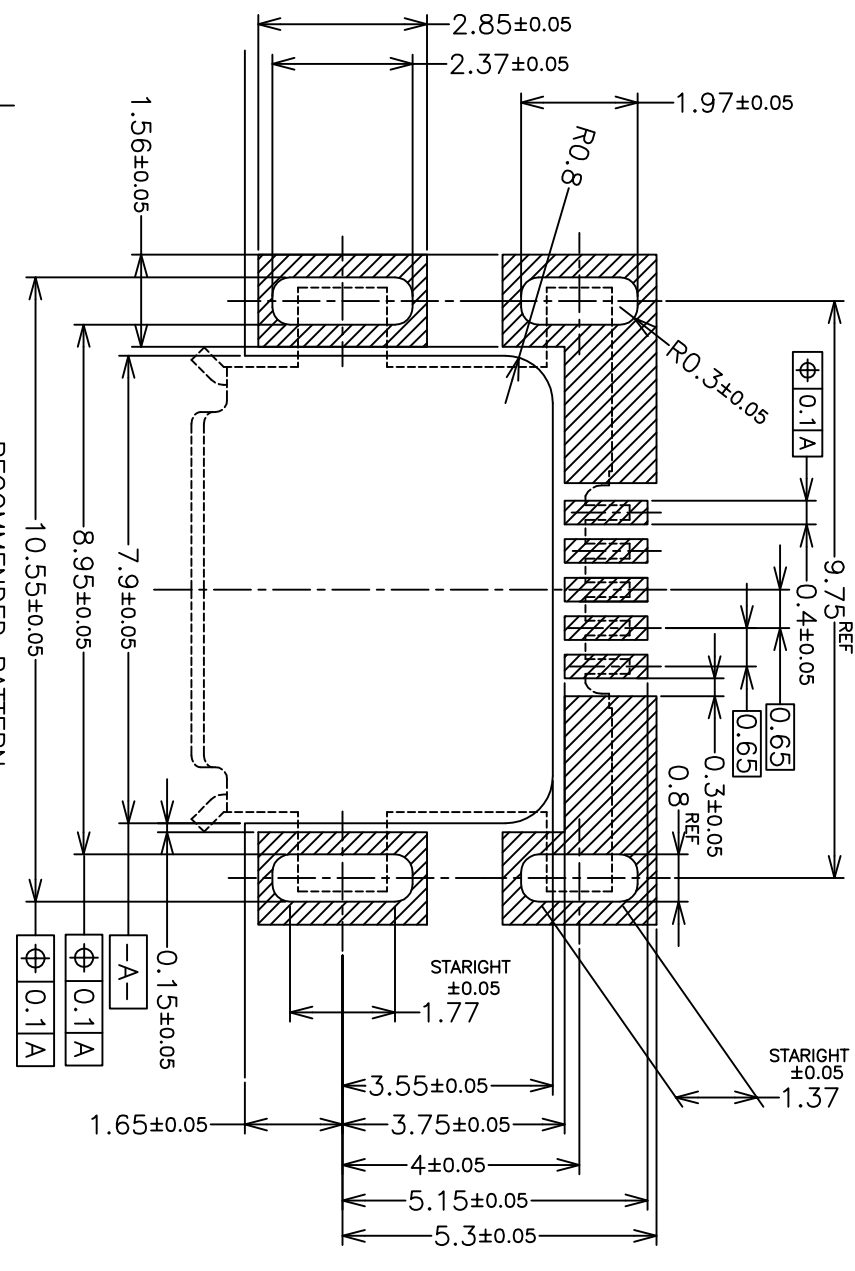
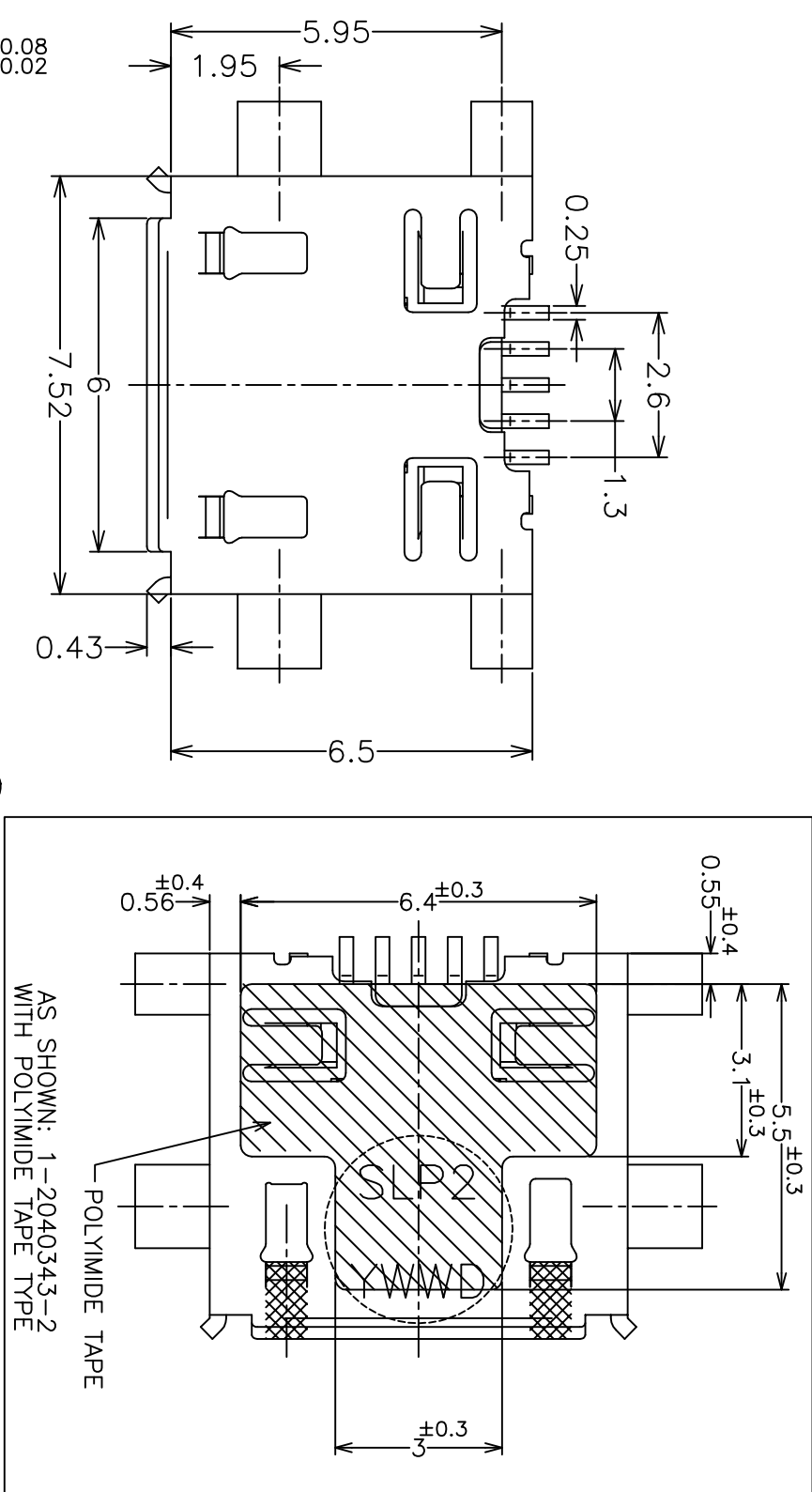
RELEASED FOR PUBLICATION

ALL RIGHTS RESERVED.

© COPYRIGHT - By -

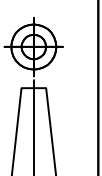
REVISIONS

| REV | DESCRIPTION | DATE | DMN | APVD |
|-----|-----------------------|------|----------|---------|
| A | RELEASED | | OSMAR09 | M.I |
| B1 | REVISED ECR-12-000186 | | SMAR2012 | T.Z S.Y |



THIS DRAWING IS A CONTROLLED DOCUMENT.

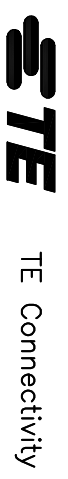
DIMENSIONS: 单位: 毫米



| FINISH | TOLERANCES UNLESS OTHERWISE SPECIFIED: |
|--------|--|
| 0 PLC | ± 0.3 |
| 1 PLC | ± 0.3 |
| 2 PLC | ± 0.3 |
| 3 PLC | ± 0.3 |
| 4 PLC | ± 0.3 |
| ANGLES | ± 3 |

| | | | | | |
|------------------|--|------------------|--|---------------------|--|
| DMN M.IWASAKI | | OSMAR09 | | NAME | |
| CHK A.KUBO | | OSMAR09 | | MICRO USB CONNECTOR | |
| APVD Y.NAKAZAWA | | OSMAR09 | | MID-MOUNT DIP | |
| PRODUCT SPEC | | PRODUCT SPEC | | SIZE | |
| APPLICATION SPEC | | APPLICATION SPEC | | CAGE CODE | |
| WEIGHT | | WEIGHT | | DRAWING NO | |
| CUSTOMER DRAWING | | CUSTOMER DRAWING | | A300779 | |
| | | | | 2040343 | |
| | | | | SCALE 8:1 | |
| | | | | SHEET 1 of 2 | |
| | | | | REV B1 | |

| | | |
|---------------------|---------------|--------------|
| KOAN HAO SKALGT5T75 | WITH | 1-2040343-2 |
| WITHOUT | WITH | 2040343-2 |
| TAPE MATERIAL | LASER WELDING | PARTS NUMBER |



TE Connectivity

THIS DRAWING IS UNPUBLISHED.

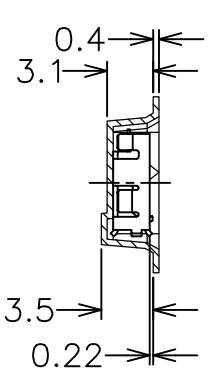
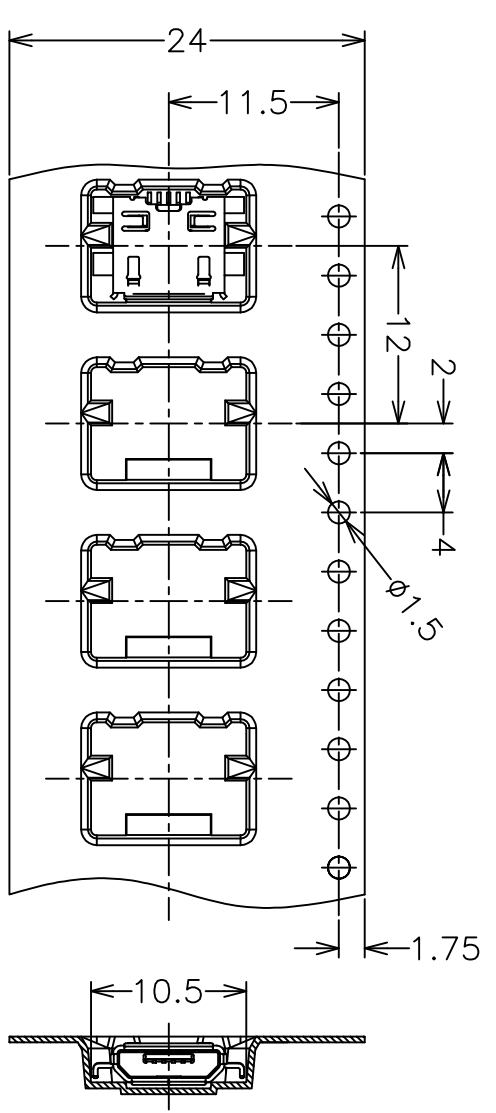
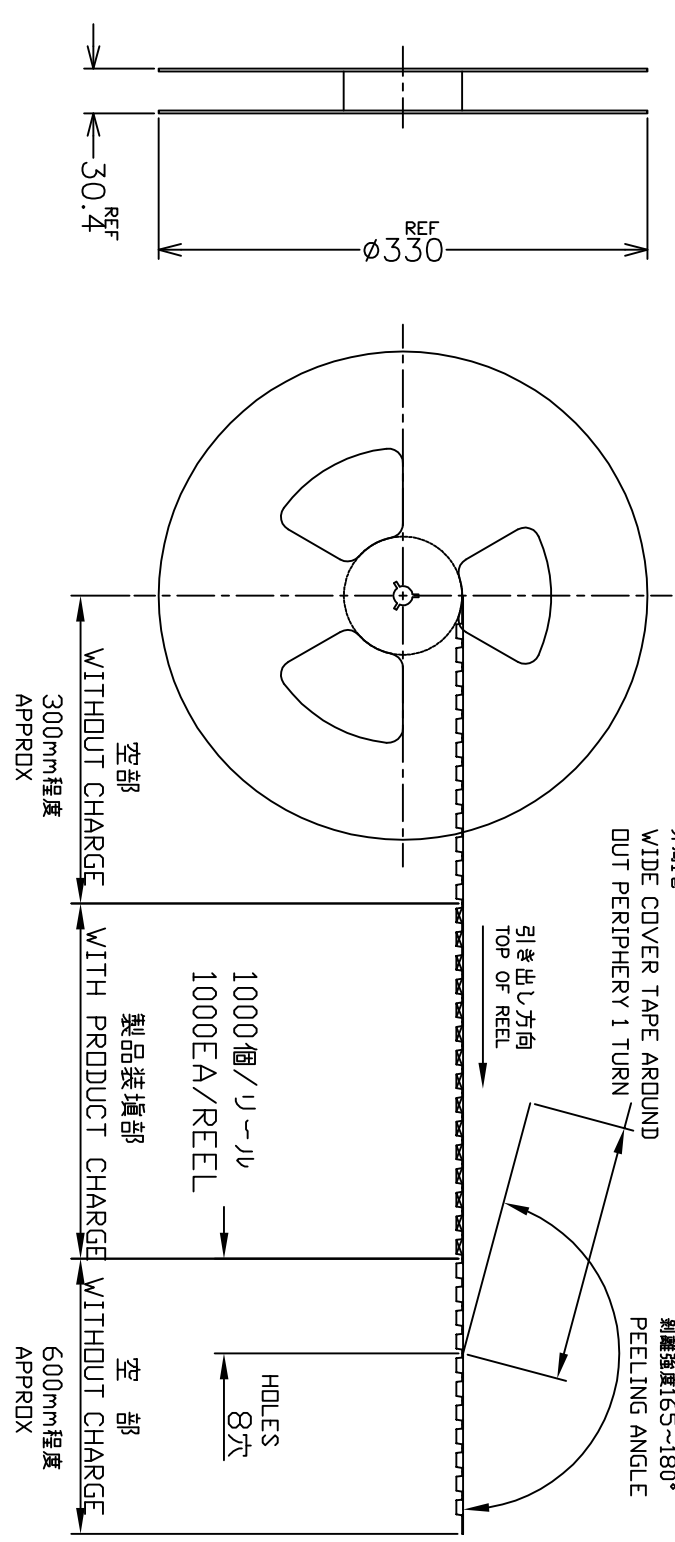
RELEASED FOR PUBLICATION

ALL RIGHTS RESERVED.

© COPYRIGHT - By -

REVISIONS

| LOG | DIST | P | LTR | DESCRIPTION | DATE | DMN | APVD |
|-----|------|---|-----|-------------|------|-----|------|
| - | - | - | - | SEE SHEET 1 | - | - | - |



TOP OF REEL →

THIS DRAWING IS A CONTROLLED DOCUMENT.

DIMENSIONS: 単位: 特 mm

TOLERANCES UNLESS OTHERWISE SPECIFIED: 一般公差

FINISH 仕上

MATERIAL 材料

STE TE Connectivity

MICRO USB CONNECTOR
MID-MOUNT DIP

NAME 名称
SIZE 寸法
CAGE CODE
DRAWING NO 番号
SCALE 尺度
SHEET 2 of 2
REV B1